

# TRILOGY

*high performance - unbeatable price*



**TRILOGY**  
*By PTI*

- ◆ Lockable / Removable Cash Box
- ◆ Dual-stage optical anti-stringing
- ◆ Simple setup with Configuration Card or PC
- ◆ 12VDC standard
- ◆ Lighted arrows on bezel
- ◆ High security against fraudulent bills
- ◆ Flash updates using a PC
- ◆ Pushbutton / LED on-board diagnostics
- ◆ Advanced diagnostics with PC
- ◆ Numerous interfaces available - pinouts compatible with other manufacturers
- ◆ Bills up to 85mm wide accepted with various bezel options
- ◆ Automatic self-calibration - never requires user calibration



**PYRAMID TECHNOLOGIES, INC.**

CURRENCY VALIDATION EXPERTS

1718 North Quail Mesa, AZ 85205 USA  
Tel: +1 480.507.0088 Fax: +1 480.507.1922

**Bezel Type**

- 2- USA Style Bezel (Notes up to 66 mm in width)
- 3- USA Style Bezel (Notes up to 72 mm in width)
- 4- USA Style Bezel (Notes up to 74 mm in width)
- 5- USA Style Bezel (Notes up to 82 mm in width)
- 6- Wide USA Bezel (Notes up to 85 mm in width)

**P.S./Comm. (Power Supply/Communication Options)**

- 1- 12 VDC Pulse Mode only (4-pin harness included)
- 2- 12 VDC Parallel/Parallel Binary & CC-Talk (16-pin harness included)
- 4- 12 VDC USB Operation (Power / USB harness included)

**MODEL NUMBER GUIDE**

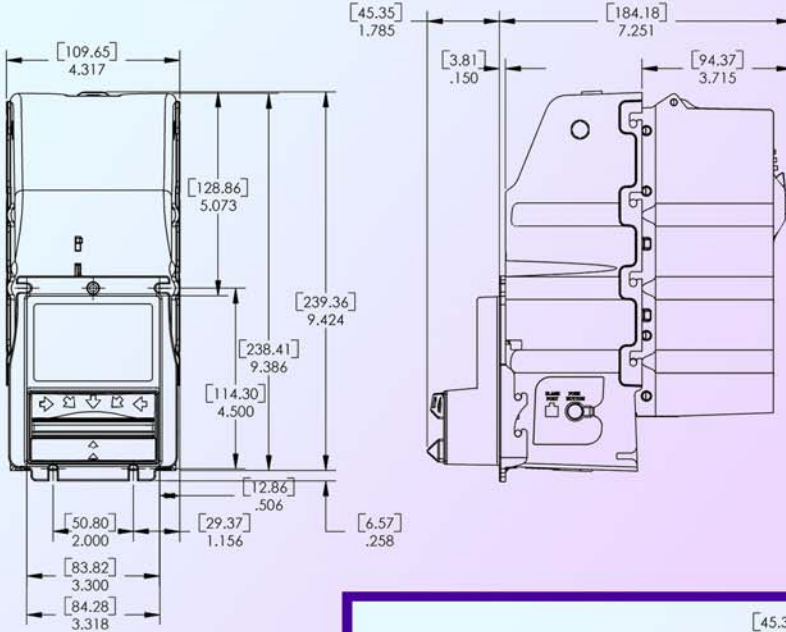
**T5 - X - X - X - XXX**

**Cashbox**

- C- 500 Note Cassette - No Lock
- D- 500 Note Cassette - Lock Installed

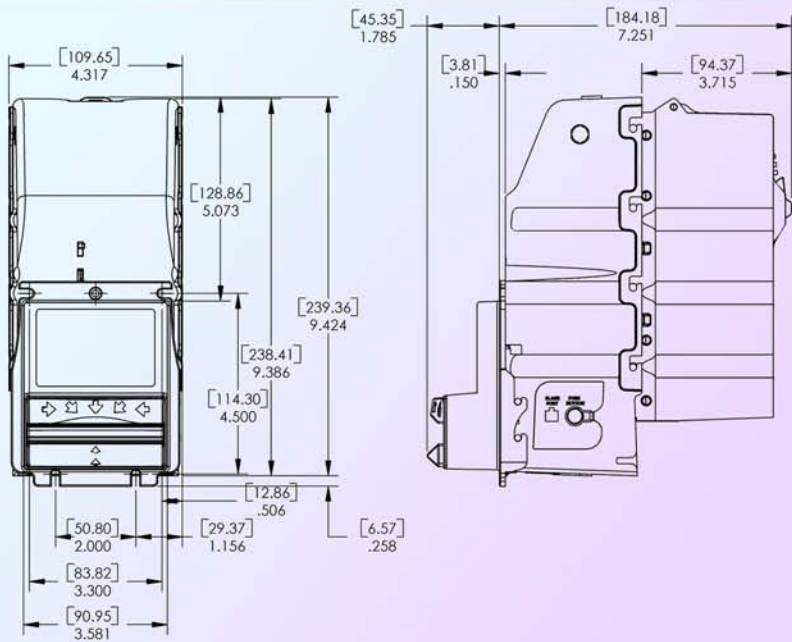
**Country Code**

ISO three (3) digit code  
Example EUR = Euro notes



**USA Style Bezel  
Types 2, 3, 4 and 5**

**USA Wide Bezel  
Type 6**



**PYRAMID TECHNOLOGIES, INC.**

1718 North Quail Mesa, AZ 85205 USA Tel: +1 480.507.0088 Fax: +1 480.507.1922

Copyright © 2007 Pyramid Technologies, Inc.