



CURVE

- ◆ Mechanical anti-stringing design
- ◆ Dual-stage optical anti-stringing
- ◆ Simple setup with Configuration Card or PC
- ◆ 12VDC standard
- ◆ Lighted arrows on bezel
- ◆ High security against fraudulent bills
- ◆ Flash updates using a PC
- ◆ Pushbutton / LED on-board diagnostics
- ◆ Advanced diagnostics with PC
- ◆ Numerous interfaces available - pinouts compatible with other manufacturers
- ◆ Bills up to 85mm wide accepted with various bezel options
- ◆ Automatic self-calibration - never requires user calibration



PYRAMID TECHNOLOGIES, INC.

CURRENCY VALIDATION EXPERTS

1718 North Quail Mesa, AZ 85205 USA
Tel: +1 480.507.0088 Fax: +1 480.507.1922



MODEL NUMBER GUIDE

Bezel Type

- 0- Stackerless-only (Notes up to 82 mm in width)
- 1- Euro Style Bezel (Notes up to 85 mm in width)
- 2- USA Style Bezel (Notes up to 66 mm in width)
- 3- USA Style Bezel (Notes up to 72 mm in width)
- 4- USA Style Bezel (Notes up to 74 mm in width)
- 5- USA Style Bezel (Notes up to 82 mm in width)
- 6- USA Wide Bezel (Notes up to 85 mm in width)
- 7- Euro with 66 mm Inserts (Notes up to 66 mm)
- 8- Euro with 72 mm Inserts (Notes up to 72 mm)
- 9- Euro with 74 mm Inserts (Notes up to 74 mm)

P.S./Comm. (Power Supply/Communication Options)

- 1- 12 VDC Pulse Mode only (4-pin harness included)
- 2- 12 VDC Parallel/Parallel Binary & CC-Talk (16-pin harness included)
- 3- MDB Multi-Drop Bus (MDB harness included)
- 4- 12 VDC USB Operation (Power / USB harness included)

C5

X

X

X

XXX

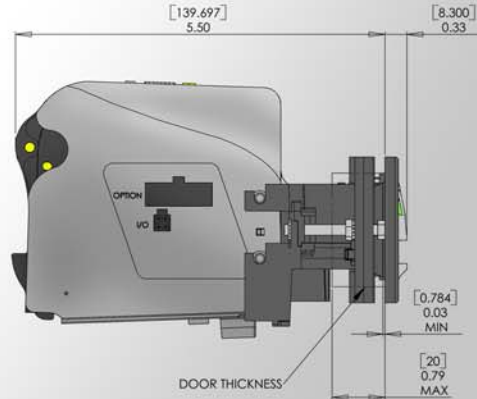
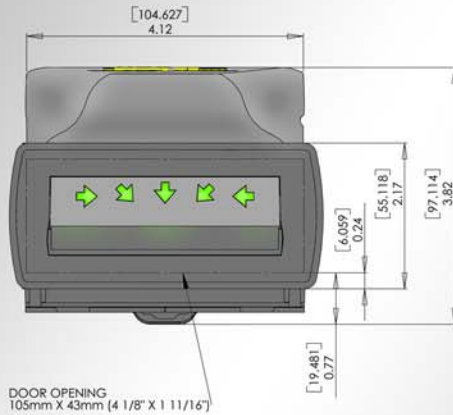
Cashbox

N- None (Stackerless only)

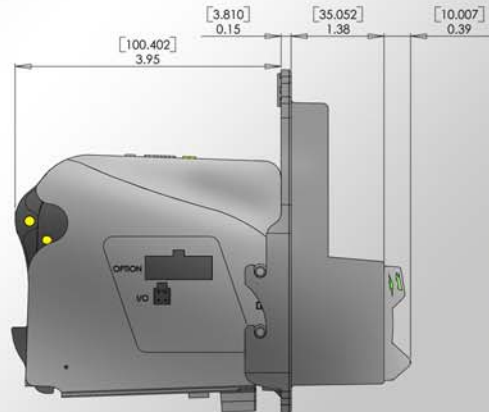
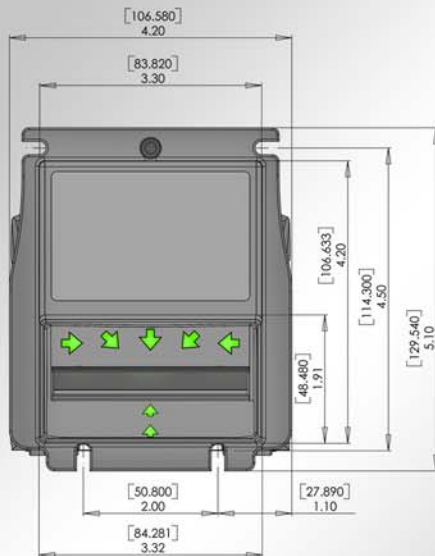
Country Code

ISO three (3) digit code
 Example EUR = Euro notes,
 USA = USA notes

EURO-STYLE BEZEL



USA-STYLE BEZEL



PYRAMID TECHNOLOGIES, INC.

1718 North Quail Mesa, AZ 85205 USA Tel: +1 480.507.0088 Fax: +1 480.507.1922

Copyright © 2010 Pyramid Technologies, Inc.